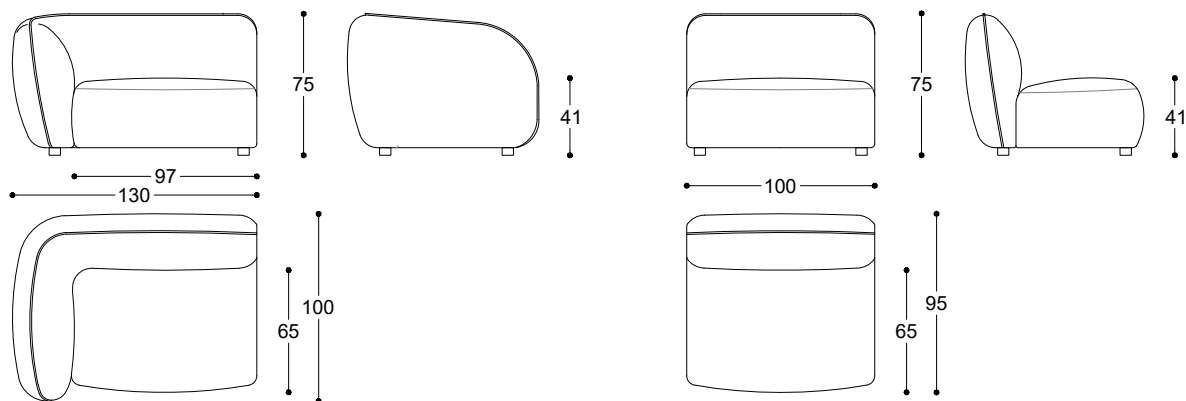


Pier Luigi Frighetto, 2021



Modular sofa with structure in poplar wood, with crossed elastic belt spring system. Padding in high-density expanded polyurethane, upholstery in thermo-bonded fibre with stretch jersey. Fully removable fabric covers.

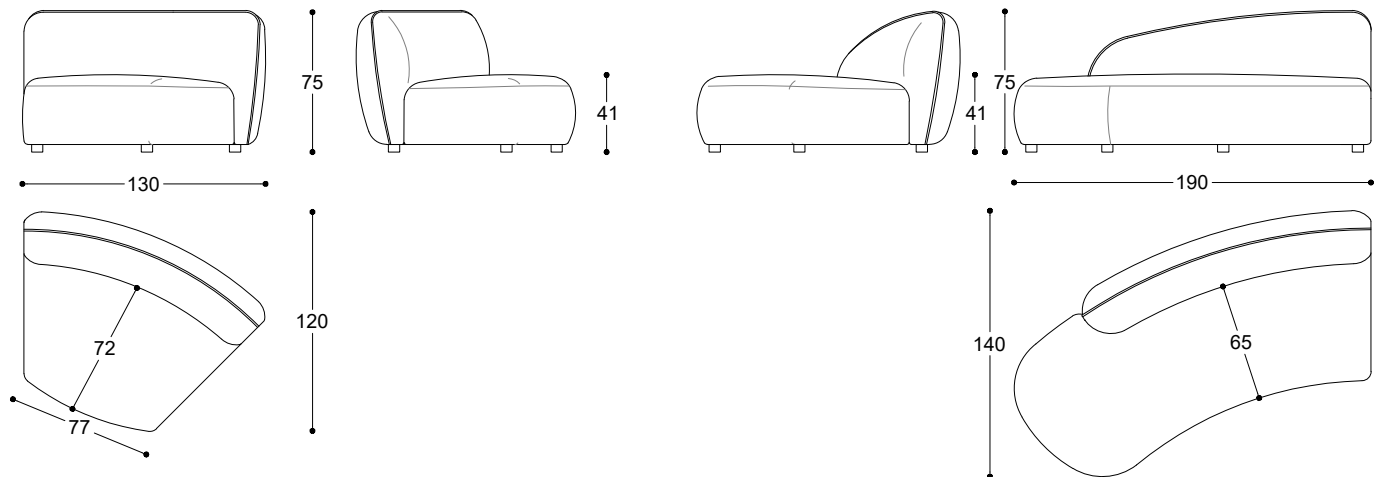
Divano componibile con struttura in legno di pioppo e molleggio a nastri elastici intrecciati. Imbottitura struttura e seduta in poliuretano espanso ad alta densità, rivestito in fibra termolegata accoppiata a maglina elastica. Completamente sfoderabile in tessuto.



Article: Terminal element 130 Left
Code: SX-ERA5H
Article: Terminal element 130 Right
Code: DX-ERA5G

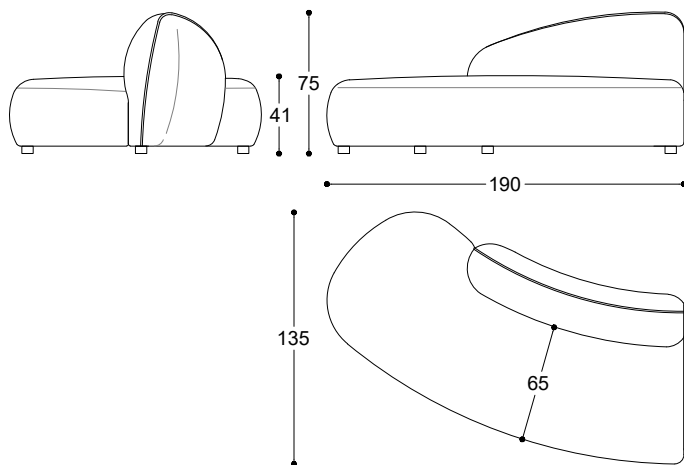
Code: Linear element 100
ERA50

Pier Luigi Frighetto, 2021



Article: Curve element
Code: ERACURV

Article: Concave open element Left
Code: SX-ERA6M
Article: Concave open element Left
Code: DX-ERA6L



Article: Convex open element Left
Code: SX-ERA7P
Article: Convex open element Right
Code: DX-ERA7N

Modularity proposals

