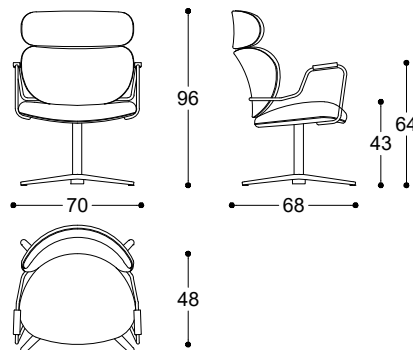


*Pier Luigi Frighetto, 2019*



Armchair with swivel base and tilting mechanism. Seat, back in curved beech wood, padding in high-resilience expanded polyurethane. Armrest in stainless steel polished gold finishing. 4-point-star base in die-cast aluminium, painted matt black. 360° swivel base with return device. Non removable cover.

*Poltroncina girevole con meccanismo basculante. Struttura in multistrato di faggio e imbottitura in poliuretano espanso. Base girevole a 360° autoallineante con quattro razze in alluminio verniciata nero opaco. Bracciolo in metallo tubolare in finitura oro lucido. Non sfoderabile.*



Article: Swivel armchair  
Code: ASI10SW