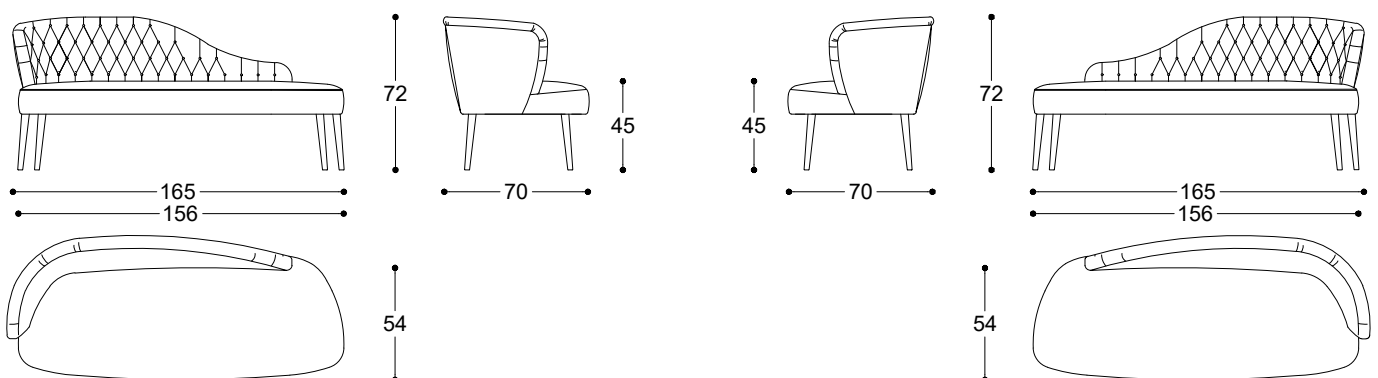


Pier Luigi Frighetto, 2017



Sofa with structure in beech wood, seat and back in fire-resistant expanded polyurethane. Tufted back. Feet upholstered with gold or matt dark bronze metal glides. Non-removable cover.

Divano con struttura in legno di faggio, seduta e schienale in poliuretano espanso ignifugo, schienale lavorato a mano in capitonné. Piedini rivestiti, puntale in metallo finitura oro o bronzo scuro opaco. Non sfoderabile.



Article: Sofa 165 Left  
Code: SX-PEN16

Article: Sofa 165 Right  
Code: DX-PEN16